

FUWEI

Guangzhou FUWEI Electronic Technology Co.,Ltd

FGU03-C

ULTRASONIC FORK SENSOR



Safety Warning

- Do not use in an environment with flammable, explosive or corrosive gases.
- Do not use in an environment with oil or chemicals.
- Do not use in an environment with high humidity.
- Do not use in direct sunlight.
- Do not use under other environmental conditions that exceed the rated value.
- Do not disassemble, repair or modify the product without permission.

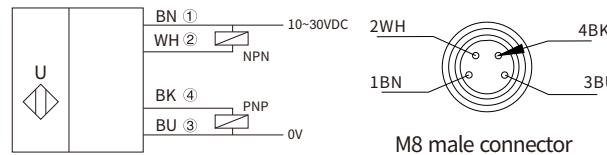
End-of-life Disposal

When the product is disposed of, please dispose of it as industrial waste.

Specification

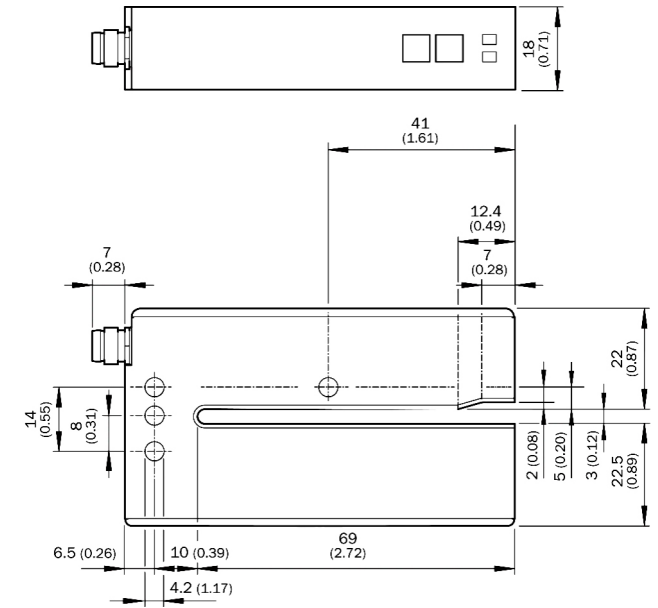
Model	FGU03-C
Operational Principle	Ultrasonic technology
Size	18 x 47.5 x 92.5mm
Shell Shape	Groove type
Slot Width	3mm
Groove Depth	69mm
Min Detectable Object	Gap between labels/label size: 2mm
Label Recognition	✓
Set Up	Addition and subtraction buttons (teach, sensitivity, NO/NC)
Teaching Demonstration Function	2 teaching touchpoints, teaching function program (dynamic)
Power Supply Voltage	10~30VDC
Residual Ripple	<10%
Current Consumption	40mA
Switching Frequency	1.5KHz
Response Time	250μs
Light Output	PNP,NPN
Switching Output (voltage)	PNP: High level=Uv≤2V/Low level≈0V NPN: High level=About Uv/Low level≤2V
Switch Type	NO/NC switching
Output Current	100mA Max.
Initialization Time	100ms
Line Type	Plug, M8, 4-pin
Protection Level	III
Protection Circuit	Output terminal with short-circuit protection to suppress interference pulses
Shell Protection Level	IP65
Weight	95g
Shell Material	aluminium

Wiring Guidelines

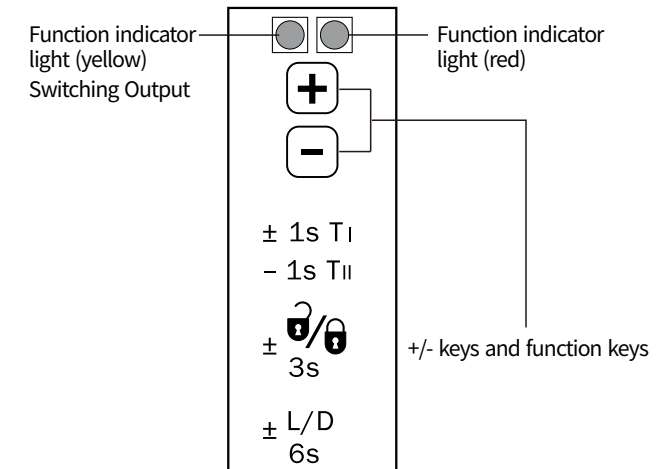


PNP/NPN Output

Dimensions(Unit: mm/inch)



Panel Introduction



Automatic Teaching

Start teaching demonstration

Press the "+" and "-" buttons simultaneously for 1 second before releasing. The red LED indicator light flashes at a frequency of approximately 8Hz. Multiple labels accompany the carrier (the object to be detected) through the sensor.

End teaching demonstration

Operate the "-" button. Set the switch threshold. The function display light (indicated by a red LED) is off. Please check the sensor function. The function display light (yellow LED indication) displays the switch status of the sensor. If necessary, use the "+" and "-" keys for fine-tuning.

Manual Teaching

Single press=precise calibration (the red LED indicator flashes with each press)

Continuously holding down the button=quick adjustment (red LED flashing until reaching minimum or maximum value)

Static Teaching in

When needed, the teaching switch threshold can be displayed in a static state (with no movement of the object).

Start teaching demonstration

Place the bottom lining (or label) into the slot and press the "+" and "-" buttons simultaneously for more than 1 second, then release. The red LED indicator light flashes at a frequency of approximately 8Hz.

End teaching demonstration

Place the label (or backing) into the slot and operate the "+" button to set the switch threshold. The function display light (red LED indicator light) is off. The red function display light flashes three times. The threshold is located at the lower limit of the allowable tolerance. Please check the sensor function. The function display light (yellow LED indicator light) displays the switch status of the sensor. If necessary, use the "+" and "-" keys for fine-tuning.

Device lock

Pressing the "+" and "-" buttons simultaneously for $3 < t < 6$ seconds can lock the device to prevent accidental operation. The device can be unlocked by performing the same operation in the locked state.

Optoelectronic Synchronization

Pressing the "+" and "-" buttons simultaneously for more than 6 seconds can switch the device between photoelectric synchronization and non photoelectric synchronization.

Product specifications are subject to change without notice.

For more information or if you have any questions or suggestions about this product, please feel free to contact us.