

FW-2104 Series

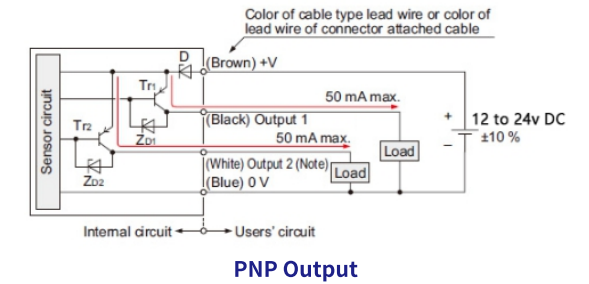
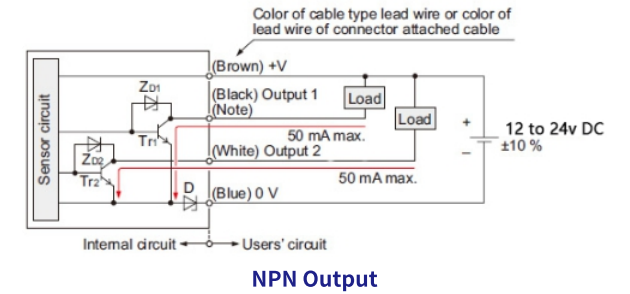
PHOTOELECTRIC LABEL SENSOR



规格参数

Model	FW-2104N	FW-2104P
Output type	N=NPN.NO/NC	P=PNP.NO/NC
Light source	940um infrared modulated light	
Working mode	NO/NC selectable	
Supply voltage	12-24VDC	
Slot width	2mm	
Slot depth	40mm	
Sensitivity setting	knob adjustment	
load current	100mA	
Working current	1.1mA	
Response time	0.1ms	
Switch frequency	10KHZ	
Response time	50us	
Feature	Cost-effective, fast response time	
Detectable label	Non-transparent paper-based labels	
Operating temperature	-20~55°C, no freezing	
Ingress Protection rating	IP66	
Size	59*9.8*34.7mm	

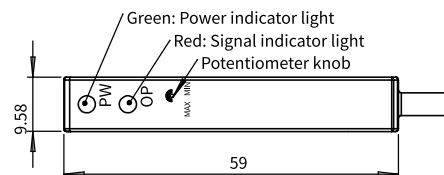
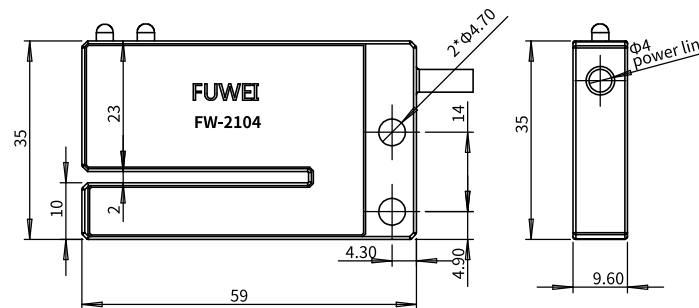
Wiring Diagram



Safety Warning

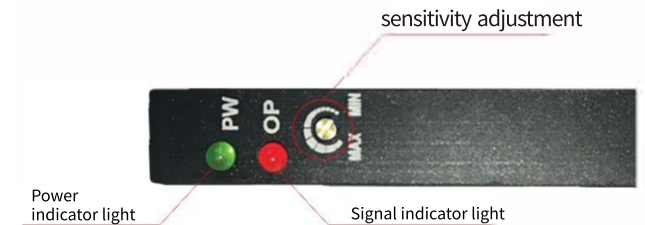
- Do not use in an environment with flammable, explosive or corrosive gases.
- Do not use in an environment with oil or chemicals.
- Do not use in an environment with high humidity.
- Do not use in direct sunlight.
- Do not use under other environmental conditions that exceed the rated value.
- Do not disassemble, repair or modify the product without permission.

Dimensions



Operating instructions

Adjustable clockwise or counterclockwise with the sensitivity knob.



End-of-life Disposal

When the product is disposed of, please dispose of it as industrial waste.

Product specifications are subject to change without notice. For more information or if you have any questions or suggestions about this product, please feel free to contact us.