

Small size photoelectric sensors FGY18 series



Features

- 18mm threaded cylindrical mounting, easy to install
- Short case for small installation space
- Big knob design for easy adjustment
- IP67 protection, suitable for harsh environments
- With 360° visible bright LED status indicator
- Suitable for inspection of smooth transparent bottles and transparent films



Model

NPN NO/NC	FGY18-200NFR-T	PNP NO/NC	FGY18-200PFR-T
-----------	----------------	-----------	----------------

Specifications

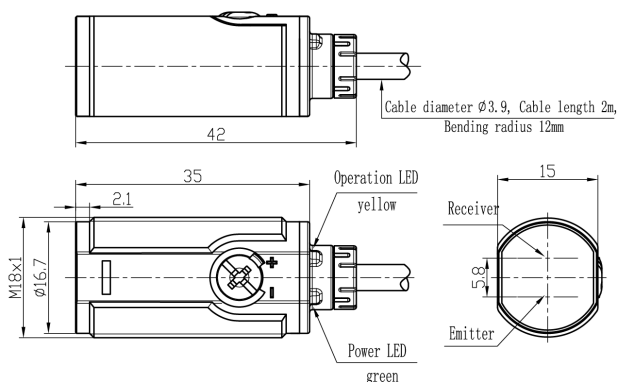
Detection type	Transparent object detection	Distance adjustment	Single-turn potentiometer
Detection distance	2m*	Indicator	Green LED: power, stable
Light source	Red light (640nm)		Yellow LED: output, short circuit or overload
Spot size	45*45mm@100cm	Anti-ambient light	Anti-sunlight interference ≤ 10,000lux
Standard target	> φ35mm object with transmittance more than 15%		Incandescent light interference ≤ 3,000lux
Output	NPN NO/NC or PNP NO/NC	Operating temperature	-25...55 °C
Response time	≤ 1ms	Storage temperature	-35...70 °C
Supply voltage	10...30 VDC	Protection degree	IP67
Consumption current	≤ 20mA	Certification	CE
Load current	≤ 200mA	Material	Housing: PC+ABS; Filter: PMMA
Voltage drop	≤ 1V	Connection	2m PVC cable
Circuit protection	Short-circuit, overload, reverse polarity protection	Annex	M18 nut (2PCS), instruction manual, Reflector
NO/NC adjustment	White wire is connected to the positive pole or hang up, NO mode; White wire is connected to the negative pole, NC mode		

*This data is the result of the TD-09 test of the reflector of the Lanbao PSS polarized sensor.

**Smaller objects can be detected by adjustment.

***The green LED becomes weaker, which means that the signal is weaker and the sensor is unstable; The yellow LED flashes, which means that the sensor is shorted or overloaded;

Dimensions



Circuit Diagrams

