

FUWEI

FGM-SN Series

General Safety Light Curtain

FGN-SN series are designed with independent dual OSSD output; Great ability in self-inspection and circuit protection when over current output; Special optical lens ensure safety light curtain with long sensing distance over 30 meters; Working voltage is during DC10v~30v; Transistor output (curtains can be directly connect with the PLC); Enclosure of safety light curtain with dual sliding slot for easy and multiple installation.



Product Feature

- Low and wide voltage power supply ensure safety light curtain can work under DC10V-24V;
- Sensing distance is long up to 30 meters;
- High safety performance cause of dual-loop and self-inspection design;
- Strong anti-electromagnetic interference ability can effectively resist various electromagnetic interference;
- Good performance to anti vibration, as anti-shock circuit and thick aluminum alloy enclosure;
- Wire synchronization technology ensure the safety light curtain resist strong light;
- Multiple brackets ensure various installation methods to suitable for different application environment.



Specification

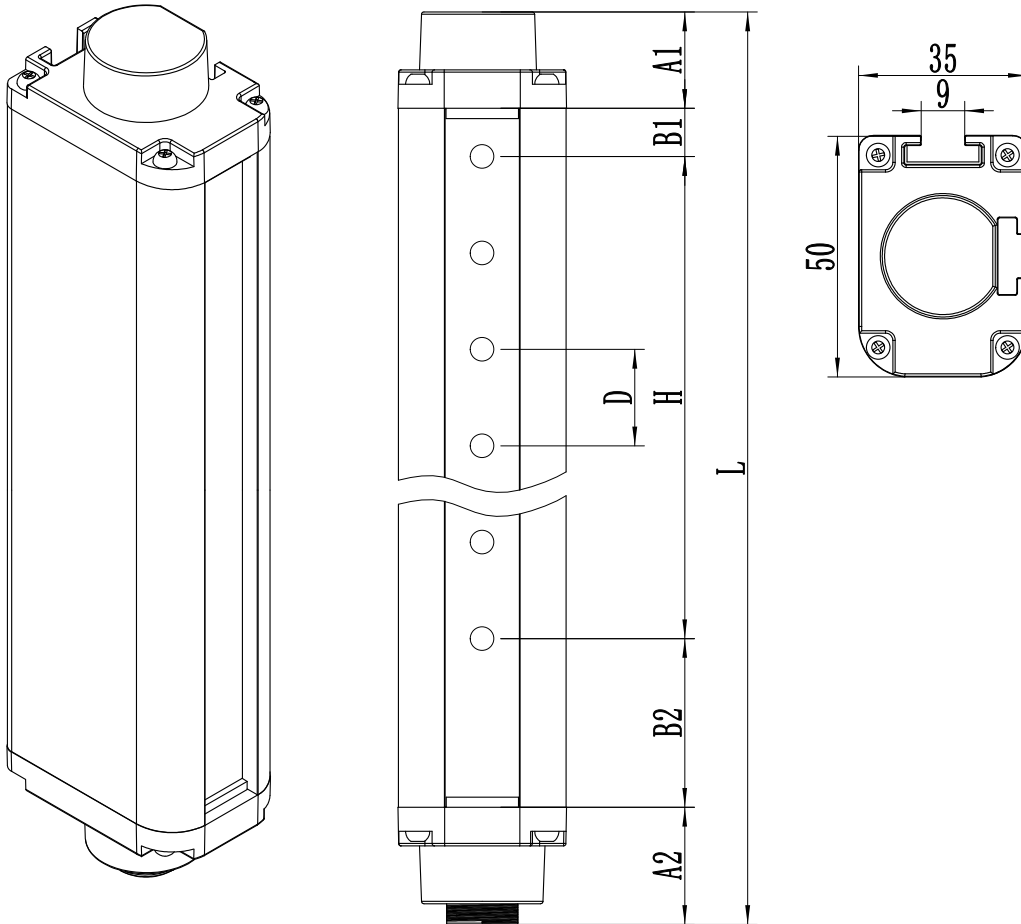
Specification

Power Supply	DC10-30V
Capacity	<5W
Beam Space	10mm/20mm/40mm
Resolution	20mm/30mm/50mm
Beams	10mm Beam gap: 8、12、16...320 20mm Beam gap: 4、6、8...160 40mm Beam gap: 4、6、8...122
Protective Height	Protective height=(N-1)beamgap, N is beam quantity.
Wave Length	940nm
Response Time	Protective height =(N-1) beam gap
Output Type	NPN/PNP semiconductors, current<200mA, residual voltage:1V max. leakage current: 1mA max. Except voltage influenced by lengthen wire)
Protective Circuit	Overload voltage protection, power supply reverse polarity protection, over current protection
Sensing Dstance	0.1~0.5m,0.1~2m,0.1~5m,0.1~10m,0.1~20m,0.1~30m(If reflective light environment, please let us know in advanced)
Anti-optical Interference	10000 Lux(angle>5°)
Sensing Method	Through-beam type
Synchronization	wire synchronization
Enclosure Meterial	Aluminum alloy
Enclosure Rating	IP65
Housing Cross-section	35*50mm
Vibration Resistance	10Hz...55Hz,double amplitude each inX, Y and Z directions for 20 times
Ambient Operation Temperature	-10°C-55C(with no freezing)
Storage Temperature	30°C~70°C(with nofreezing)
Ambient Operating Humidity	when temperature is 20°C, humidity max 85%

Raster Model Description

FGM-SN	10	20	L1	N	C	-	5
Model	Beams	Beams Gap	Brackets	Output Signal	Output Contact		Sensing Distance
FGM-SN Series	4, 6, 8..... 302, 304	10mm 20mm 40mm	L1: Side Mount Bracket H1: Upper and Lower Bracket N: Aluminum Swivel Arm Bracket T: Iron Rotating Arm Bracket J: Reinforcing Bracket	N: NPN P: PNP R: Relay Output	C: Normal Close O: Normal Open		5: 0.1-5M 10: 0.1-10M 15: 0.1-15M 20: 0.1-20M

Dimensions



A1: Upper Cover

A2: Bottom Cover

B1: Upper Stop-work Range

B2: Bottom Stop-work Range

D: Beam Gap (5mm/10mm/ 15mm/20mm/30mm/ 40mm)

H: Protective Height

L: Total Height

A1=20mm; A2=25mm

When D=10mm, B1=5mm; B2=30mm

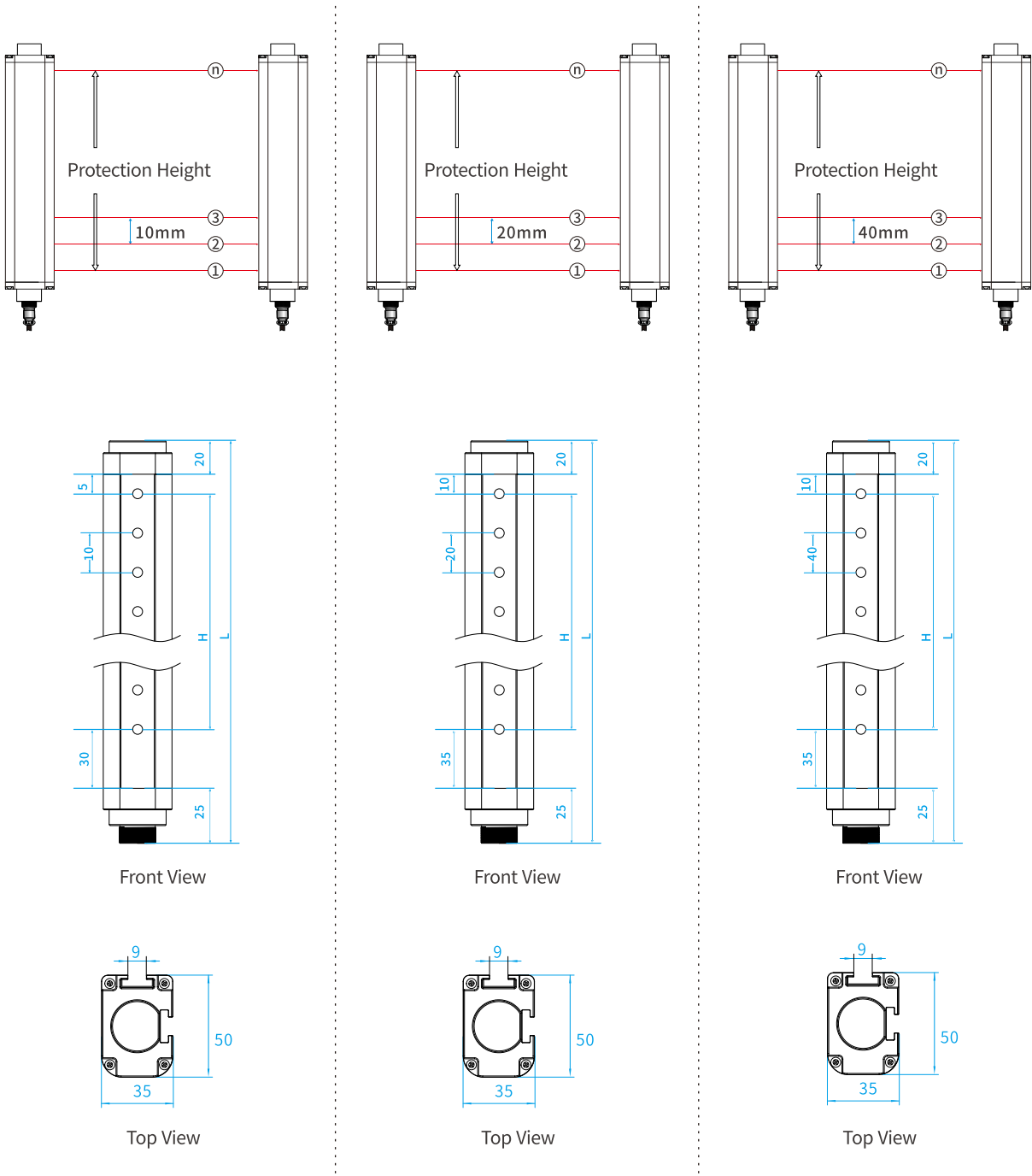
When D=20mm, B1=10mm; B2=35mm

When D=40mm, B1=10mm; B2=35mm

H is protective height: $H=(beams-1)*beam\ space$

L is total height: $L=A1+A2+B1+B2+H$

Dimensions



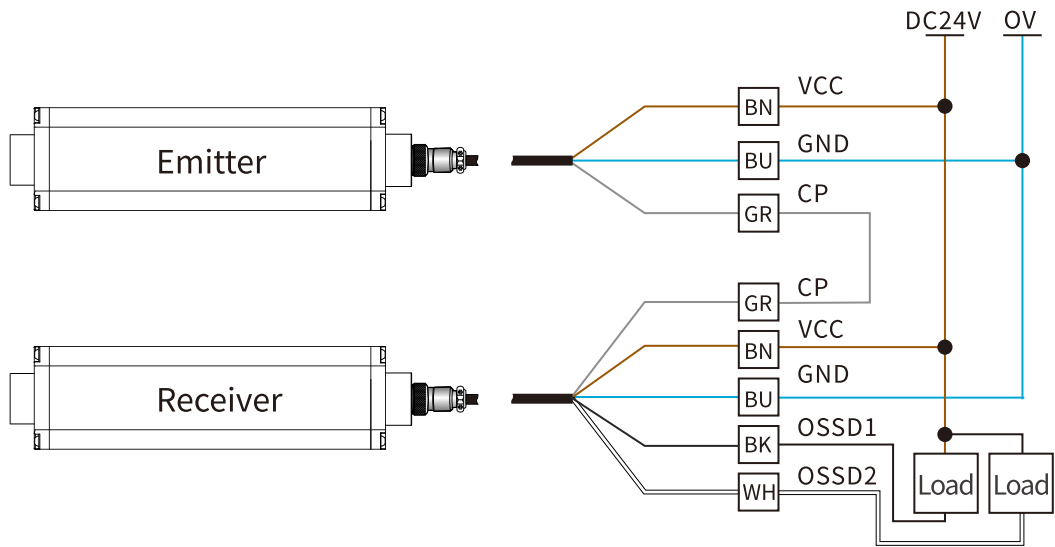
10mm Beams Pitch

20mm Beams Pitch

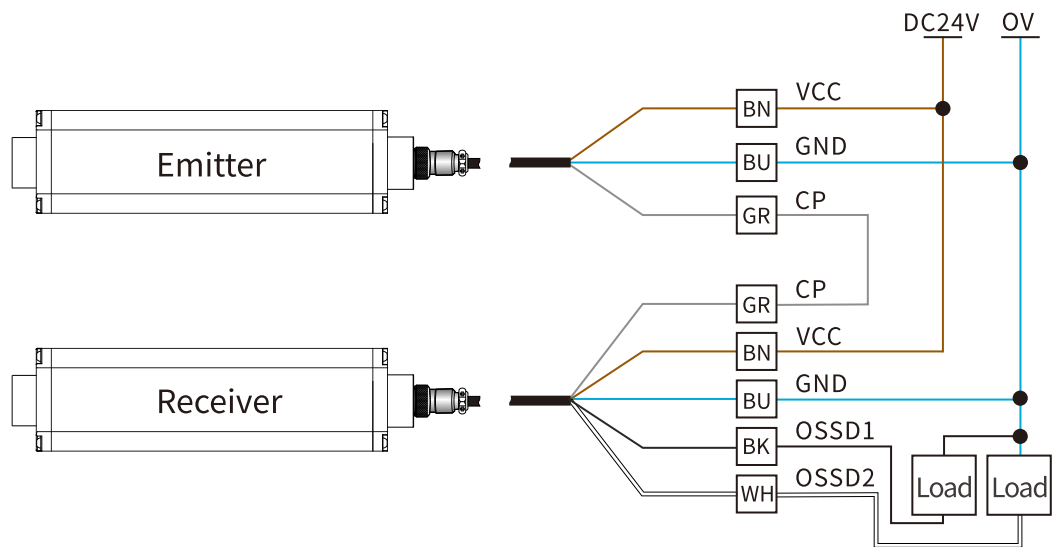
40mm Beams Pitch

H is protective height: $H=(beams-1)*beam\ space$
 L is total height: $L=A1+A2+B1+B2+H$

Wiring Diagram



NPN Output



PNP Output

Select Sheet-Beams Pitch (10mm)

Beams (n)	Protective Height (mm)	Total Height (mm)	Size (mm)	Model NPN.NO	Model NPN.NC	Model PNP.NO	Model PNP.NC
8	70	150	35*50*150	FGM-SN0810-L1NO-5	FGM-SN0810-L1NC-5	FGM-SN0810-L1PO-5	FGM-SN0810-L1PC-5
12	110	190	35*50*190	FGM-SN1210-L1NO-5	FGM-SN1210-L1NC-5	FGM-SN1210-L1PO-5	FGM-SN1210-L1PC-5
16	150	230	35*50*230	FGM-SN1610-L1NO-5	FGM-SN1610-L1NC-5	FGM-SN1610-L1PO-5	FGM-SN1610-L1PC-5
20	190	270	35*50*270	FGM-SN2010-L1NO-5	FGM-SN2010-L1NC-5	FGM-SN2010-L1PO-5	FGM-SN2010-L1PC-5
24	230	310	35*50*310	FGM-SN2410-L1NO-5	FGM-SN2410-L1NC-5	FGM-SN2410-L1PO-5	FGM-SN2410-L1PC-5
28	270	350	35*50*350	FGM-SN2810-L1NO-5	FGM-SN2810-L1NC-5	FGM-SN2810-L1PO-5	FGM-SN2810-L1PC-5
32	310	390	35*50*390	FGM-SN3210-L1NO-5	FGM-SN3210-L1NC-5	FGM-SN3210-L1PO-5	FGM-SN3210-L1PC-5
36	350	430	35*50*430	FGM-SN3610-L1NO-5	FGM-SN3610-L1NC-5	FGM-SN3610-L1PO-5	FGM-SN3610-L1PC-5
40	390	470	35*50*470	FGM-SN4010-L1NO-5	FGM-SN4010-L1NC-5	FGM-SN4010-L1PO-5	FGM-SN4010-L1PC-5
44	430	510	35*50*510	FGM-SN4410-L1NO-5	FGM-SN4410-L1NC-5	FGM-SN4410-L1PO-5	FGM-SN4410-L1PC-5
48	470	550	35*50*550	FGM-SN4810-L1NO-5	FGM-SN4810-L1NC-5	FGM-SN4810-L1PO-5	FGM-SN4810-L1PC-5
52	510	590	35*50*590	FGM-SN5210-L1NO-5	FGM-SN5210-L1NC-5	FGM-SN5210-L1PO-5	FGM-SN5210-L1PC-5
56	550	630	35*50*630	FGM-SN5610-L1NO-5	FGM-SN5610-L1NC-5	FGM-SN5610-L1PO-5	FGM-SN5610-L1PC-5
60	590	670	35*50*670	FGM-SN6010-L1NO-5	FGM-SN6010-L1NC-5	FGM-SN6010-L1PO-5	FGM-SN6010-L1PC-5
64	630	710	35*50*710	FGM-SN6410-L1NO-5	FGM-SN6410-L1NC-5	FGM-SN6410-L1PO-5	FGM-SN6410-L1PC-5
68	670	750	35*50*750	FGM-SN6810-L1NO-5	FGM-SN6810-L1NC-5	FGM-SN6810-L1PO-5	FGM-SN6810-L1PC-5
72	710	790	35*50*790	FGM-SN7210-L1NO-5	FGM-SN7210-L1NC-5	FGM-SN7210-L1PO-5	FGM-SN7210-L1PC-5
76	750	830	35*50*830	FGM-SN7610-L1NO-5	FGM-SN7610-L1NC-5	FGM-SN7610-L1PO-5	FGM-SN7610-L1PC-5
80	790	870	35*50*870	FGM-SN8010-L1NO-5	FGM-SN8010-L1NC-5	FGM-SN8010-L1PO-5	FGM-SN8010-L1PC-5
84	830	910	35*50*910	FGM-SN8410-L1NO-5	FGM-SN8410-L1NC-5	FGM-SN8410-L1PO-5	FGM-SN8410-L1PC-5
88	870	950	35*50*950	FGM-SN8810-L1NO-5	FGM-SN8810-L1NC-5	FGM-SN8810-L1PO-5	FGM-SN8810-L1PC-5
92	910	990	35*50*990	FGM-SN9210-L1NO-5	FGM-SN9210-L1NC-5	FGM-SN9210-L1PO-5	FGM-SN9210-L1PC-5
96	950	1030	35*50*1030	FGM-SN9610-L1NO-5	FGM-SN9610-L1NC-5	FGM-SN9610-L1PO-5	FGM-SN9610-L1PC-5
100	990	1070	35*50*1070	FGM-SN10010-L1NO-5	FGM-SN10010-L1NC-5	FGM-SN10010-L1PO-5	FGM-SN10010-L1PC-5
104	1030	1110	35*50*1110	FGM-SN10410-L1NO-5	FGM-SN10410-L1NC-5	FGM-SN10410-L1PO-5	FGM-SN10410-L1PC-5
108	1070	1150	35*50*1150	FGM-SN10810-L1NO-5	FGM-SN10810-L1NC-5	FGM-SN10810-L1PO-5	FGM-SN10810-L1PC-5
112	1110	1190	35*50*1190	FGM-SN11210-L1NO-5	FGM-SN11210-L1NC-5	FGM-SN11210-L1PO-5	FGM-SN11210-L1PC-5
116	1150	1230	35*50*1230	FGM-SN11610-L1NO-5	FGM-SN11610-L1NC-5	FGM-SN11610-L1PO-5	FGM-SN11610-L1PC-5
120	1190	1270	35*50*1270	FGM-SN12010-L1NO-5	FGM-SN12010-L1NC-5	FGM-SN12010-L1PO-5	FGM-SN12010-L1PC-5
124	1230	1310	35*50*1310	FGM-SN12410-L1NO-5	FGM-SN12410-L1NC-5	FGM-SN12410-L1PO-5	FGM-SN12410-L1PC-5
128	1270	1350	35*50*1350	FGM-SN12810-L1NO-5	FGM-SN12810-L1NC-5	FGM-SN12810-L1PO-5	FGM-SN12810-L1PC-5
132	1310	1390	35*50*1390	FGM-SN13210-L1NO-5	FGM-SN13210-L1NC-5	FGM-SN13210-L1PO-5	FGM-SN13210-L1PC-5
136	1350	1430	35*50*1430	FGM-SN13610-L1NO-5	FGM-SN13610-L1NC-5	FGM-SN13610-L1PO-5	FGM-SN13610-L1PC-5
140	1430	1470	35*50*1470	FGM-SN14010-L1NO-5	FGM-SN14010-L1NC-5	FGM-SN14010-L1PO-5	FGM-SN14010-L1PC-5
144	1390	1510	35*50*1510	FGM-SN14410-L1NO-5	FGM-SN14410-L1NC-5	FGM-SN14410-L1PO-5	FGM-SN14410-L1PC-5


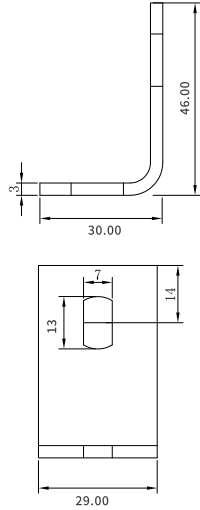

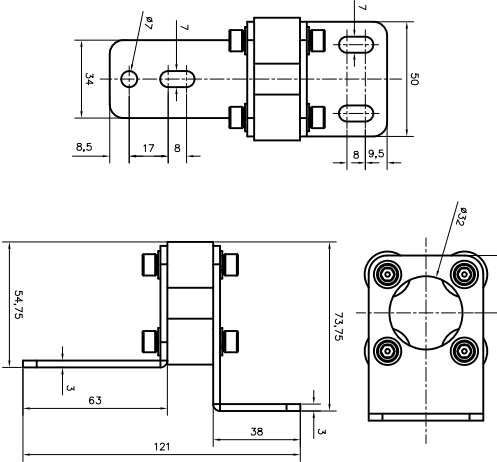

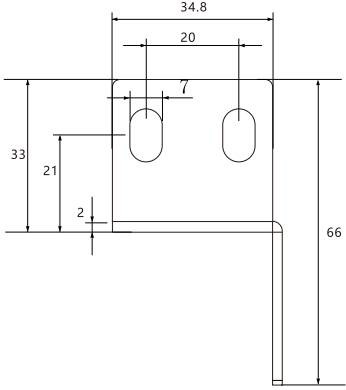
Select Sheet-Beams Pitch (20mm)

Beams (n)	Protective Height (mm)	Total Height (mm)	Size (mm)	Model NPN.NO	Model NPN.NC	Model PNP.NO	Model PNP.NC
4	60	125	35*50*125	FGM-SN0420-L1NO-5	FGM-SN0420-L1NC-5	FGM-SN0420-L1PO-5	FGM-SN0420-L1PC-5
6	100	190	35*50*190	FGM-SN0620-L1NO-5	FGM-SN0620-L1NC-5	FGM-SN0620-L1PO-5	FGM-SN0620-L1PC-5
8	140	230	35*50*230	FGM-SN0820-L1NO-5	FGM-SN0820-L1NC-5	FGM-SN0820-L1PO-5	FGM-SN0820-L1PC-5
10	180	270	35*50*270	FGM-SN1020-L1NO-5	FGM-SN1020-L1NC-5	FGM-SN1020-L1PO-5	FGM-SN1020-L1PC-5
12	220	310	35*50*310	FGM-SN1220-L1NO-5	FGM-SN1220-L1NC-5	FGM-SN1220-L1PO-5	FGM-SN1220-L1PC-5
14	260	350	35*50*350	FGM-SN1420-L1NO-5	FGM-SN1420-L1NC-5	FGM-SN1420-L1PO-5	FGM-SN1420-L1PC-5
16	300	390	35*50*390	FGM-SN1620-L1NO-5	FGM-SN1620-L1NC-5	FGM-SN1620-L1PO-5	FGM-SN1620-L1PC-5
18	340	430	35*50*430	FGM-SN1820-L1NO-5	FGM-SN1820-L1NC-5	FGM-SN1820-L1PO-5	FGM-SN1820-L1PC-5
20	380	470	35*50*470	FGM-SN2020-L1NO-5	FGM-SN2020-L1NC-5	FGM-SN2020-L1PO-5	FGM-SN2020-L1PC-5
22	420	510	35*50*510	FGM-SN2220-L1NO-5	FGM-SN2220-L1NC-5	FGM-SN2220-L1PO-5	FGM-SN2220-L1PC-5
24	460	550	35*50*550	FGM-SN2420-L1NO-5	FGM-SN2420-L1NC-5	FGM-SN2420-L1PO-5	FGM-SN2420-L1PC-5
26	500	590	35*50*590	FGM-SN2620-L1NO-5	FGM-SN2620-L1NC-5	FGM-SN2620-L1PO-5	FGM-SN2620-L1PC-5
28	540	630	35*50*630	FGM-SN2820-L1NO-5	FGM-SN2820-L1NC-5	FGM-SN2820-L1PO-5	FGM-SN2820-L1PC-5
30	580	670	35*50*670	FGM-SN3020-L1NO-5	FGM-SN3020-L1NC-5	FGM-SN3020-L1PO-5	FGM-SN3020-L1PC-5
32	620	710	35*50*710	FGM-SN3220-L1NO-5	FGM-SN3220-L1NC-5	FGM-SN3220-L1PO-5	FGM-SN3220-L1PC-5
34	660	750	35*50*750	FGM-SN3420-L1NO-5	FGM-SN3420-L1NC-5	FGM-SN3420-L1PO-5	FGM-SN3420-L1PC-5
36	700	790	35*50*790	FGM-SN3620-L1NO-5	FGM-SN3620-L1NC-5	FGM-SN3620-L1PO-5	FGM-SN3620-L1PC-5
38	740	830	35*50*830	FGM-SN3820-L1NO-5	FGM-SN3820-L1NC-5	FGM-SN3820-L1PO-5	FGM-SN3820-L1PC-5
40	780	870	35*50*870	FGM-SN4020-L1NO-5	FGM-SN4020-L1NC-5	FGM-SN4020-L1PO-5	FGM-SN4020-L1PC-5
42	820	910	35*50*910	FGM-SN4220-L1NO-5	FGM-SN4220-L1NC-5	FGM-SN4220-L1PO-5	FGM-SN4220-L1PC-5
44	860	950	35*50*950	FGM-SN4420-L1NO-5	FGM-SN4420-L1NC-5	FGM-SN4420-L1PO-5	FGM-SN4420-L1PC-5
46	900	990	35*50*990	FGM-SN4620-L1NO-5	FGM-SN4620-L1NC-5	FGM-SN4620-L1PO-5	FGM-SN4620-L1PC-5
48	940	1030	35*50*1030	FGM-SN4820-L1NO-5	FGM-SN4820-L1NC-5	FGM-SN4820-L1PO-5	FGM-SN4820-L1PC-5
50	980	1070	35*50*1070	FGM-SN5020-L1NO-5	FGM-SN5020-L1NC-5	FGM-SN5020-L1PO-5	FGM-SN5020-L1PC-5
52	1020	1110	35*50*1110	FGM-SN5220-L1NO-5	FGM-SN5220-L1NC-5	FGM-SN5220-L1PO-5	FGM-SN5220-L1PC-5
54	1060	1150	35*50*1150	FGM-SN5420-L1NO-5	FGM-SN5420-L1NC-5	FGM-SN5420-L1PO-5	FGM-SN5420-L1PC-5
56	1100	1190	35*50*1190	FGM-SN5620-L1NO-5	FGM-SN5620-L1NC-5	FGM-SN5620-L1PO-5	FGM-SN5620-L1PC-5
58	1140	1230	35*50*1230	FGM-SN5820-L1NO-5	FGM-SN5820-L1NC-5	FGM-SN5820-L1PO-5	FGM-SN5820-L1PC-5
60	1180	1270	35*50*1270	FGM-SN6020-L1NO-5	FGM-SN6020-L1NC-5	FGM-SN6020-L1PO-5	FGM-SN6020-L1PC-5
62	1220	1310	35*50*1310	FGM-SN6220-L1NO-5	FGM-SN6220-L1NC-5	FGM-SN6220-L1PO-5	FGM-SN6220-L1PC-5
64	1260	1350	35*50*1350	FGM-SN6420-L1NO-5	FGM-SN6420-L1NC-5	FGM-SN6420-L1PO-5	FGM-SN6420-L1PC-5
66	1300	1390	35*50*1390	FGM-SN6620-L1NO-5	FGM-SN6620-L1NC-5	FGM-SN6620-L1PO-5	FGM-SN6620-L1PC-5
68	1340	1430	35*50*1430	FGM-SN6820-L1NO-5	FGM-SN6820-L1NC-5	FGM-SN6820-L1PO-5	FGM-SN6820-L1PC-5
70	1380	1470	35*50*1470	FGM-SN7020-L1NO-5	FGM-SN7020-L1NC-5	FGM-SN7020-L1PO-5	FGM-SN7020-L1PC-5
72	1420	1510	35*50*1510	FGM-SN7220-L1NO-5	FGM-SN7220-L1NC-5	FGM-SN7220-L1PO-5	FGM-SN7220-L1PC-5

Select Sheet-Beams Pitch (40mm)

Beams (n)	Protective Height (mm)	Total Height (mm)	Size (mm)	Model NPN.NO	Model NPN.NC	Model PNP.NO	Model PNP.NC
4	120	210	35*50*210	FGM-SN0440-L1NO-5	FGM-SN0440-L1NC-5	FGM-SN0440-L1PO-5	FGM-SN0440-L1PC-5
6	200	290	35*50*290	FGM-SN0640-L1NO-5	FGM-SN0640-L1NC-5	FGM-SN0640-L1PO-5	FGM-SN0640-L1PC-5
8	280	370	35*50*370	FGM-SN0840-L1NO-5	FGM-SN0840-L1NC-5	FGM-SN0840-L1PO-5	FGM-SN0840-L1PC-5
10	360	450	35*50*450	FGM-SN1040-L1NO-5	FGM-SN1040-L1NC-5	FGM-SN1040-L1PO-5	FGM-SN1040-L1PC-5
12	440	530	35*50*530	FGM-SN1240-L1NO-5	FGM-SN1240-L1NC-5	FGM-SN1240-L1PO-5	FGM-SN1240-L1PC-5
14	520	610	35*50*610	FGM-SN1440-L1NO-5	FGM-SN1440-L1NC-5	FGM-SN1440-L1PO-5	FGM-SN1440-L1PC-5
16	600	690	35*50*690	FGM-SN1640-L1NO-5	FGM-SN1640-L1NC-5	FGM-SN1640-L1PO-5	FGM-SN1640-L1PC-5
18	680	770	35*50*770	FGM-SN1840-L1NO-5	FGM-SN1840-L1NC-5	FGM-SN1840-L1PO-5	FGM-SN1840-L1PC-5
20	760	850	35*50*850	FGM-SN2040-L1NO-5	FGM-SN2040-L1NC-5	FGM-SN2040-L1PO-5	FGM-SN2040-L1PC-5
22	840	930	35*50*930	FGM-SN2240-L1NO-5	FGM-SN2240-L1NC-5	FGM-SN2240-L1PO-5	FGM-SN2240-L1PC-5
24	920	1010	35*50*1010	FGM-SN2440-L1NO-5	FGM-SN2440-L1NC-5	FGM-SN2440-L1PO-5	FGM-SN2440-L1PC-5
26	1000	1090	35*50*1090	FGM-SN2640-L1NO-5	FGM-SN2640-L1NC-5	FGM-SN2640-L1PO-5	FGM-SN2640-L1PC-5
28	1080	1170	35*50*1170	FGM-SN2840-L1NO-5	FGM-SN2840-L1NC-5	FGM-SN2840-L1PO-5	FGM-SN2840-L1PC-5
30	1160	1250	35*50*1250	FGM-SN3040-L1NO-5	FGM-SN3040-L1NC-5	FGM-SN3040-L1PO-5	FGM-SN3040-L1PC-5
32	1240	1330	35*50*1330	FGM-SN3240-L1NO-5	FGM-SN3240-L1NC-5	FGM-SN3240-L1PO-5	FGM-SN3240-L1PC-5
34	1320	1410	35*50*1410	FGM-SN3440-L1NO-5	FGM-SN3440-L1NC-5	FGM-SN3440-L1PO-5	FGM-SN3440-L1PC-5
36	1400	1490	35*50*1490	FGM-SN3640-L1NO-5	FGM-SN3640-L1NC-5	FGM-SN3640-L1PO-5	FGM-SN3640-L1PC-5
38	1480	1570	35*50*1570	FGM-SN3840-L1NO-5	FGM-SN3840-L1NC-5	FGM-SN3840-L1PO-5	FGM-SN3840-L1PC-5
40	1560	1650	35*50*1650	FGM-SN4040-L1NO-5	FGM-SN4040-L1NC-5	FGM-SN4040-L1PO-5	FGM-SN4040-L1PC-5
42	1640	1730	35*50*1730	FGM-SN4240-L1NO-5	FGM-SN4240-L1NC-5	FGM-SN4240-L1PO-5	FGM-SN4240-L1PC-5
44	1720	1810	35*50*1810	FGM-SN4440-L1NO-5	FGM-SN4440-L1NC-5	FGM-SN4440-L1PO-5	FGM-SN4440-L1PC-5
46	1800	1890	35*50*1890	FGM-SN4640-L1NO-5	FGM-SN4640-L1NC-5	FGM-SN4640-L1PO-5	FGM-SN4640-L1PC-5
48	1880	1970	35*50*1970	FGM-SN4840-L1NO-5	FGM-SN4840-L1NC-5	FGM-SN4840-L1PO-5	FGM-SN4840-L1PC-5
50	1960	2050	35*50*2050	FGM-SN5040-L1NO-5	FGM-SN5040-L1NC-5	FGM-SN5040-L1PO-5	FGM-SN5040-L1PC-5
52	2040	2130	35*50*2130	FGM-SN5240-L1NO-5	FGM-SN5240-L1NC-5	FGM-SN5240-L1PO-5	FGM-SN5240-L1PC-5
54	2120	2210	35*50*2210	FGM-SN5440-L1NO-5	FGM-SN5440-L1NC-5	FGM-SN5440-L1PO-5	FGM-SN5440-L1PC-5
56	2200	2290	35*50*2290	FGM-SN5640-L1NO-5	FGM-SN5640-L1NC-5	FGM-SN5640-L1PO-5	FGM-SN5640-L1PC-5
58	2280	2370	35*50*2370	FGM-SN5840-L1NO-5	FGM-SN5840-L1NC-5	FGM-SN5840-L1PO-5	FGM-SN5840-L1PC-5
60	2360	2450	35*50*2450	FGM-SN6040-L1NO-5	FGM-SN6040-L1NC-5	FGM-SN6040-L1PO-5	FGM-SN6040-L1PC-5
62	2440	2530	35*50*2530	FGM-SN6240-L1NO-5	FGM-SN6240-L1NC-5	FGM-SN6240-L1PO-5	FGM-SN6240-L1PC-5
64	2520	2610	35*50*2610	FGM-SN6440-L1NO-5	FGM-SN6440-L1NC-5	FGM-SN6440-L1PO-5	FGM-SN6440-L1PC-5
66	2600	2690	35*50*2690	FGM-SN6640-L1NO-5	FGM-SN6640-L1NC-5	FGM-SN6640-L1PO-5	FGM-SN6640-L1PC-5
68	2680	2770	35*50*2770	FGM-SN6840-L1NO-5	FGM-SN6840-L1NC-5	FGM-SN6840-L1PO-5	FGM-SN6840-L1PC-5
70	2760	2850	35*50*2850	FGM-SN7040-L1NO-5	FGM-SN7040-L1NC-5	FGM-SN7040-L1PO-5	FGM-SN7040-L1PC-5

Installation Bracket Options

Picture	Name	Accessories	Bracket Size
	L1 back/ Side mounting	<ul style="list-style-type: none"> 1.L brackets(4PCS) 2.Sliding blocks(4PCS) 3.M6 grommet (4PCS) 4.M6 pad(4PCS) 5.M6*16 screw(4PCS) 6.M6*8 screw(4PCS) 	
	Shock-absorbing bracket	<ul style="list-style-type: none"> 1.L brackets(4PCS) 2.Sliding blocks(8PCS) 3.M6 grommet (8PCS) 4.M6 pad(8PCS) 5.M6*16 screw(8PCS) 6.M6*8 screw(8PCS) 	
	H1 upper&bottom mounting	<ul style="list-style-type: none"> 1.H brackets(4PCS) 2.Sliding blocks(4PCS) 3.M6 grommet (4PCS) 4.M6 pad(4PCS) 5.M6*16 screw(8PCS) 6.M6*8 screw(4PCS) 	

Application Example

